

# REMOVAL

1. Remove the seat cushion. ([Refer to 23 - Body/Seats/COVER, Seat Cushion - Removal](#)).
2. Remove the rear plastic shield fasteners and shields.
3. Remove the bottom plastic shield by carefully prying up on the shield until the retainers disengage.
4. Remove the cables and cable assemblies.
5. Remove the frame to adjuster fasteners and separate.
6. Remove the adjuster latch mounting nuts and remove the latch.

# INSTALLATION

1. Install the adjuster latch mounting nuts and install the latch.
2. Position the frame to the adjuster assembly.
3. Install the frame to adjuster fasteners. Tighten to 30 N-m (22 ft. lbs.).
4. Install the cables and cable assemblies.
5. Install the bottom plastic shield ensuring the retainers engage.
6. Install the rear plastic shield shields and fasteners.
7. Install the seat cushion. ([Refer to 23 - Body/Seats/SEAT CUSHION - Installation](#)).

# REMOVAL

1. Position the 40 split seat with back folded flat, to the full forward position.
2. Partially remove the armrest side shield and remove the mounting fastener.
3. With the armrest folded down, remove the two mounting fasteners located on the inside of the armrest bracket.
4. Remove the armrest from the vehicle.

**NOTE:** Only perform the following steps if the cover or foam replacement is required.

5. Remove the armrest plastic cover, by carefully prying up until the retainers disengage.
6. If equipped, remove the headrest.
7. Remove the headrest sleeves, if equipped.
8. Carefully pull the seat cover off of the armrest and remove the cover.
9. Remove the foam as required.

# INSTALLATION

1. Install the foam, if required.
2. Carefully install the seat cover to the armrest.
3. If equipped, install the headrest sleeves to the armrest.
4. Install the headrest, if equipped.
5. Install the armrest plastic cover, ensuring the retainers engage.
6. Position the armrest to the vehicle.
7. With the armrest folded down, install the two mounting fasteners located on the inside of the armrest bracket. Tighten to 40 N-m (29 ft. lbs.).
8. Install the outboard armrest mounting fastener. Tighten to 30 N-m (22 ft. lbs.).

# REMOVAL

1. Remove the folding seat handle cover, mounting fasteners and handle from the seat back.
2. Remove the seat belt trim, if required.
3. Remove the headrest and headrest guides.
4. Fold the seat back down flat.
5. For the 60 split seat only, remove the seat belt anchor bolt.
6. Using a clip removal tool or equivalent, carefully disengage the retainers that secure the seat back panel and remove the back panel.
7. Release the seat cover clips from the seat back.
8. Carefully pull the seat cover and foam away from the seat back frame.
9. If required, feed the seat belt through the seat cover.
10. Carefully pull the cover off of the foam, cutting any hog rings and discarding.

# INSTALLATION

1. Carefully install the cover to the foam, installing any hog rings.
2. If required, feed the seat belt through the seat cover.
3. Position the seat cover and foam to the seat back frame.
4. Install the seat cover clips to the seat back.
5. Install the seat back panel ensuring the retainers engage.
6. For the 60 split seat only, install the seat belt anchor bolt. Tighten to 49 N-m (36 ft. lbs.).
7. Fold the seat back up.
8. Install the headrest guides and headrest.
9. Install the seat belt trim, if required.
10. Install the folding seat handle, mounting fasteners and cover to the seat back.

# REMOVAL

**NOTE:** Only the 40 split seat must be removed to replace the seat cushion.

1. For the 40 split seat only, remove the seat from the vehicle. ([Refer to 23 - Body/Seats/SEAT - Removal](#)).
2. Remove the seat recliner handle cover and fastener.
3. Remove the seat recliner handle.
4. Remove the seat adjuster handle cover and fastener.
5. Remove the seat adjuster handle.
6. Remove the seat side shields.
7. Remove the outboard seat bolt securing the seat cushion to the seat frame.
8. For the 40 split seat only, remove the inboard seat cushion mounting fastener.
9. Pull the release latch and push up on seat cushion to separate from the seat frame.
10. Remove the cable assembly from the seat cushion.
11. Remove the gas strut from the seat cushion, if equipped.
12. Remove the cushion from the seat frame.
13. Unzip the cover from the cushion.
14. Carefully pull the seat cover off of the seat cushion, cutting any hog rings and discarding them, if required.

# INSTALLATION

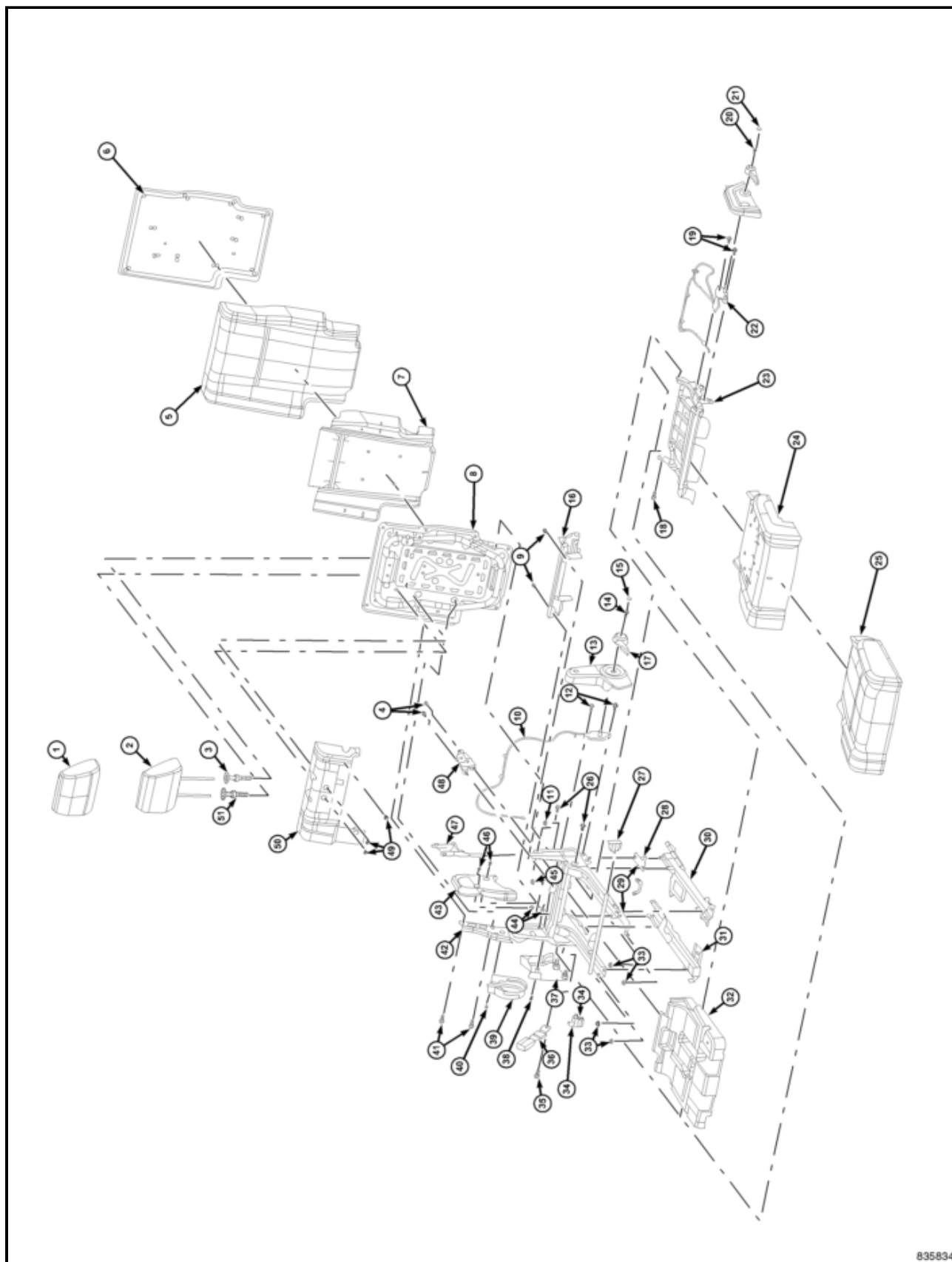
1. Carefully pull the seat cover over the seat foam, installing any hog rings, if required.
2. Zip the cover on to the foam.
3. Install the cushion to the seat frame.
4. Install the gas strut to the seat cushion, if equipped.
5. Install the cable assembly to the seat cushion.
6. Ensure the seat cushion is latched into the seat frame.
7. Install the outboard seat bolt securing the seat cushion to the seat frame. Tighten to 30 N-m (22 ft. lbs.).
8. Install the inboard seat bolt, if required.
9. Install the seat side shields.
10. Install the seat recliner handle.
11. Install the seat recliner handle fastener and cover.
12. Install the seat adjuster handle.
13. Install the seat adjuster handle fastener and cover.
14. Install the seat to the vehicle, if required. ([Refer to 23 - Body/Seats/SEAT - Installation](#)).



# STANDARD PROCEDURE

- 1.
- 2.
- 3.

# DESCRIPTION

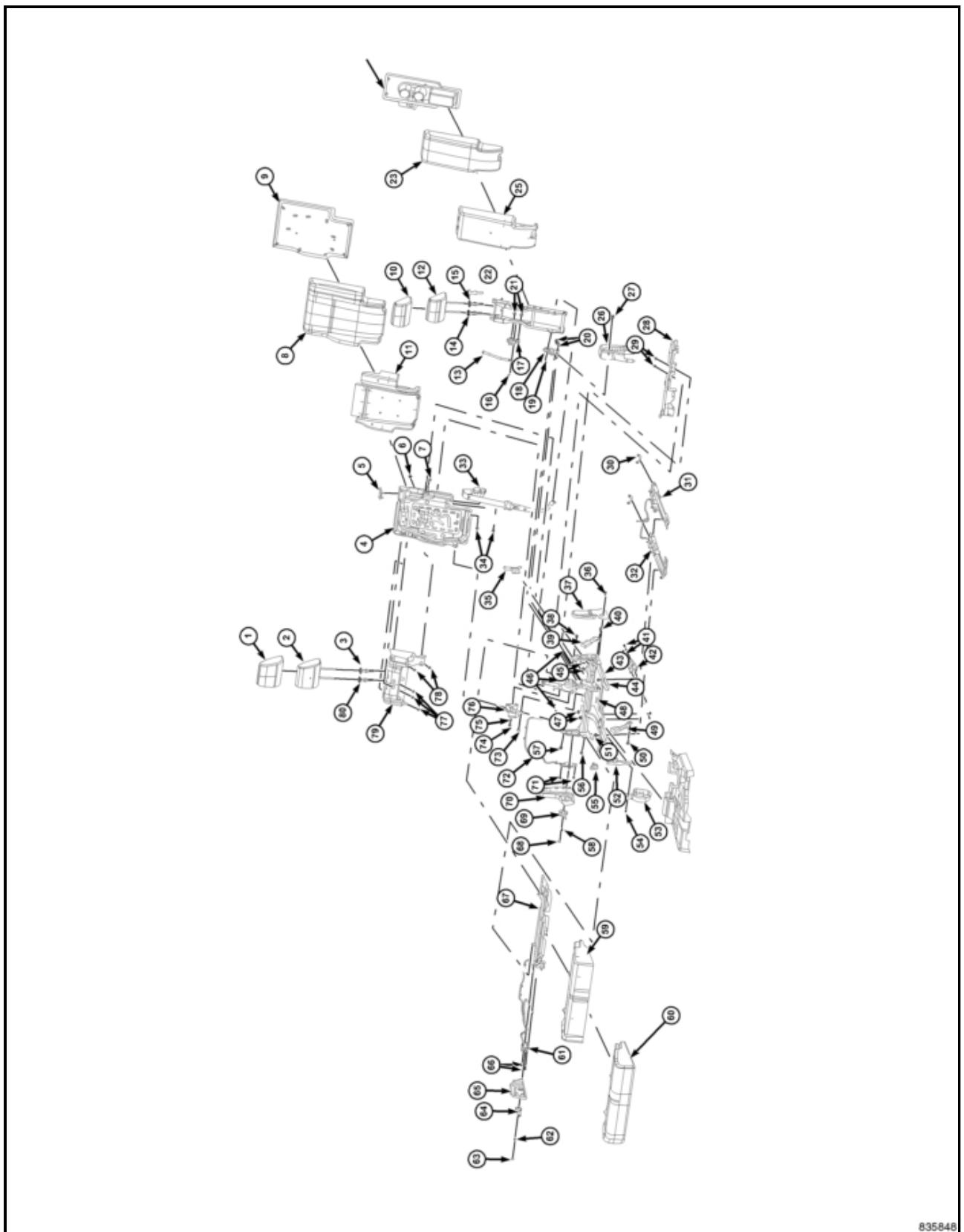


835834

5 Passenger - 40% Seat Explode

Item	Description	Item	Description
1	Cover, Headrest	27	Bumper
2	Foam, Headrest	28	Cover, Rear Track

3	Sleeve, Headrest	29	Spacer
4	Screw	30	Assembly, Outboard Track
5	Cover, Seat Back	31	Assembly, Inboard Track
6	Shield, Seat Back	32	Shield, Cushion Latch
7	Foam, Seat Back	33	Nut, Lock
8	Frame, Seat Back	34	Bumper
9	Screw	35	Screw
10	Cable, Recliner Release	36	Buckle, Seatbelt
11	Nut, Lock	37	Shield, Lower Outer
12	Screw	38	Screw
13	Shield, Upper Recliner LH	39	Shield, Upper Recliner RH
14	Screw	40	Screw
15	Cover, Release Handle	41	Bumper
16	Shield, Rear	42	Assembly, Lower Structure
17	Handle, Recliner	43	Shield, Lower Recliner
18	Screw	44	Nut, Plastic
19	Screw	45	Nut, Lock
20	Screw	46	Screw
21	Cover, Release Handle	47	Shield, Upper Inner
22	Cable, Track Release	48	Assembly, Cushion Latch
23	Frame, Seat Cushion	49	Screw
24	Foam, Seat Cushion	50	Shield, Upper Seat Back Inner
25	Cover, Seat Cushion	51	Sleeve, Headrest
26	Screw		

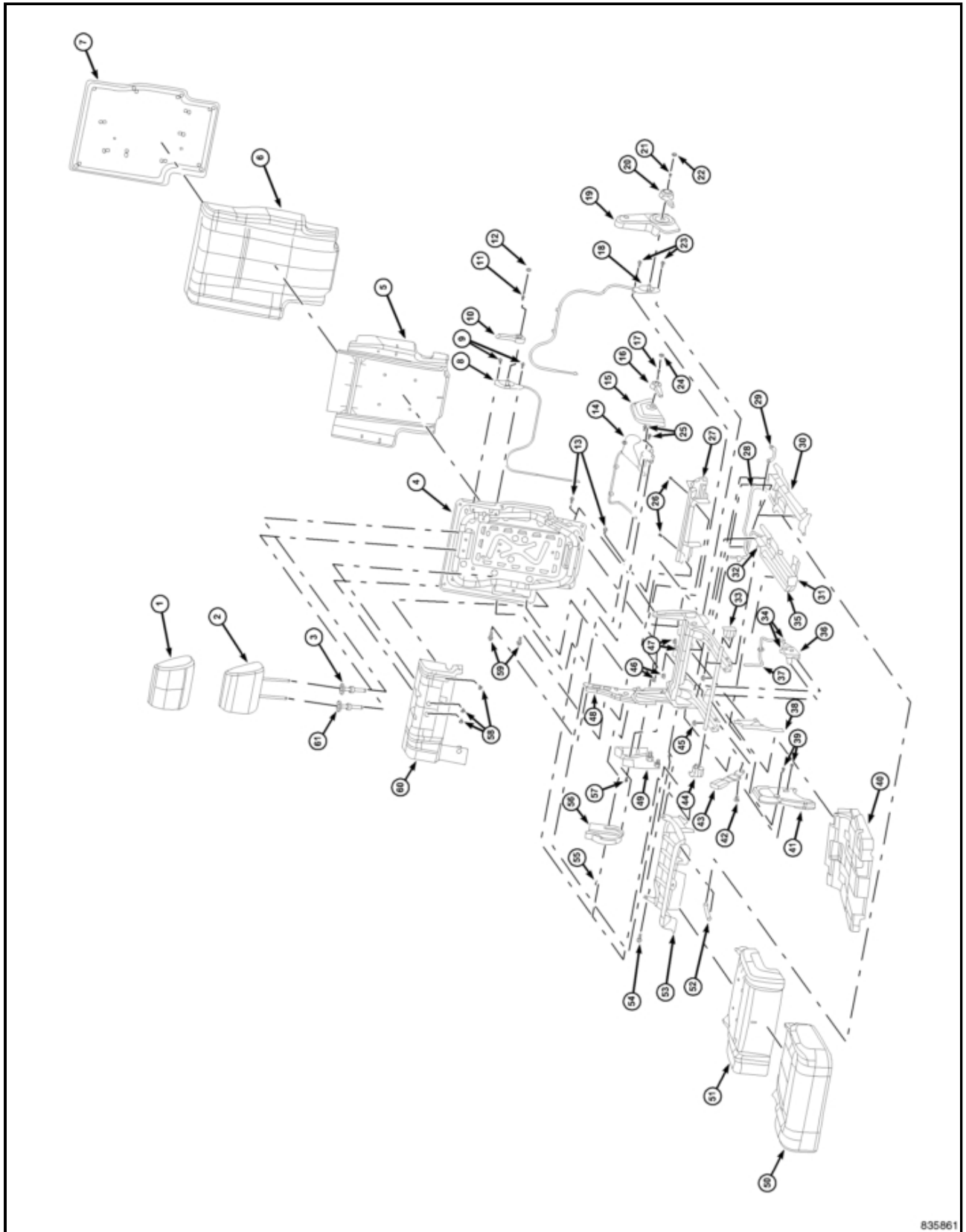


835848

### 5 Passenger - 60% Seat Explode

Item	Description	Item	Description
1	Cover, Headrest	41	Screw
2	Foam, Headrest	42	Sleeve, Headrest
3	Sleeve, Headrest	43	Frame, Seat
4	Frame, Seat Back	44	Nut
5	Bezel, Seat Belt	45	Nut

6	Screw	46	Screw
7	Cover, Striker	47	Nut
8	Cover, Seat Back	48	Cushion, Bumper
9	Shield, Seat Back	49	Buckle, Seat Belt
10	Cover, Headrest	50	Screw
11	Foam, Seat Back	51	Nut
12	Foam, Headrest	52	Cover, Lower Outer
13	Strap, Release	53	Cover, Upper Recliner
14	Sleeve, Headrest	54	Screw
15	Sleeve, Headrest	55	Bumper
16	Nut	56	Screw
17	Latch, Armrest	57	Screw
18	Bracket, Armrest Pivot	58	Screw
19	Screw	59	Foam, Seat Cushion
20	Screw	60	Cover, Seat Cushion
21	Nut	61	Cable, Track Release
22	Frame, Armrest	62	Screw
23	Cover, Armrest	63	Cap, Handle
24	Panel, Armrest Cover	64	Handle, Seat Adjust
25	Foam, Armrest	65	Shield, Lower Side
26	Cover, Pivot Bracket	66	Screw
27	Screw	67	Frame, Seat Cushion
28	Shield, Rear	68	Cap, Handle
29	Screw	69	Handle, Recliner
30	Cover, Rear Track	70	Shield, Upper Side
31	Assembly, Outboard Track	71	Screw
32	Assembly, Inboard Track	72	Cable, Recliner Release
33	Retractor, Seat Belt	73	Pin, Push
34	Screw	74	Screw
35	Cover, Inner Pivot	75	Nut
36	Pin, Push	76	Cover, Lower Recliner
37	Shield, Upper Recliner LH	77	Screw
38	Screw	78	Screw
39	Buckle, Seat Belt	79	Shield, Upper Seat Back Inner
40	Screw	80	Sleeve, Headrest

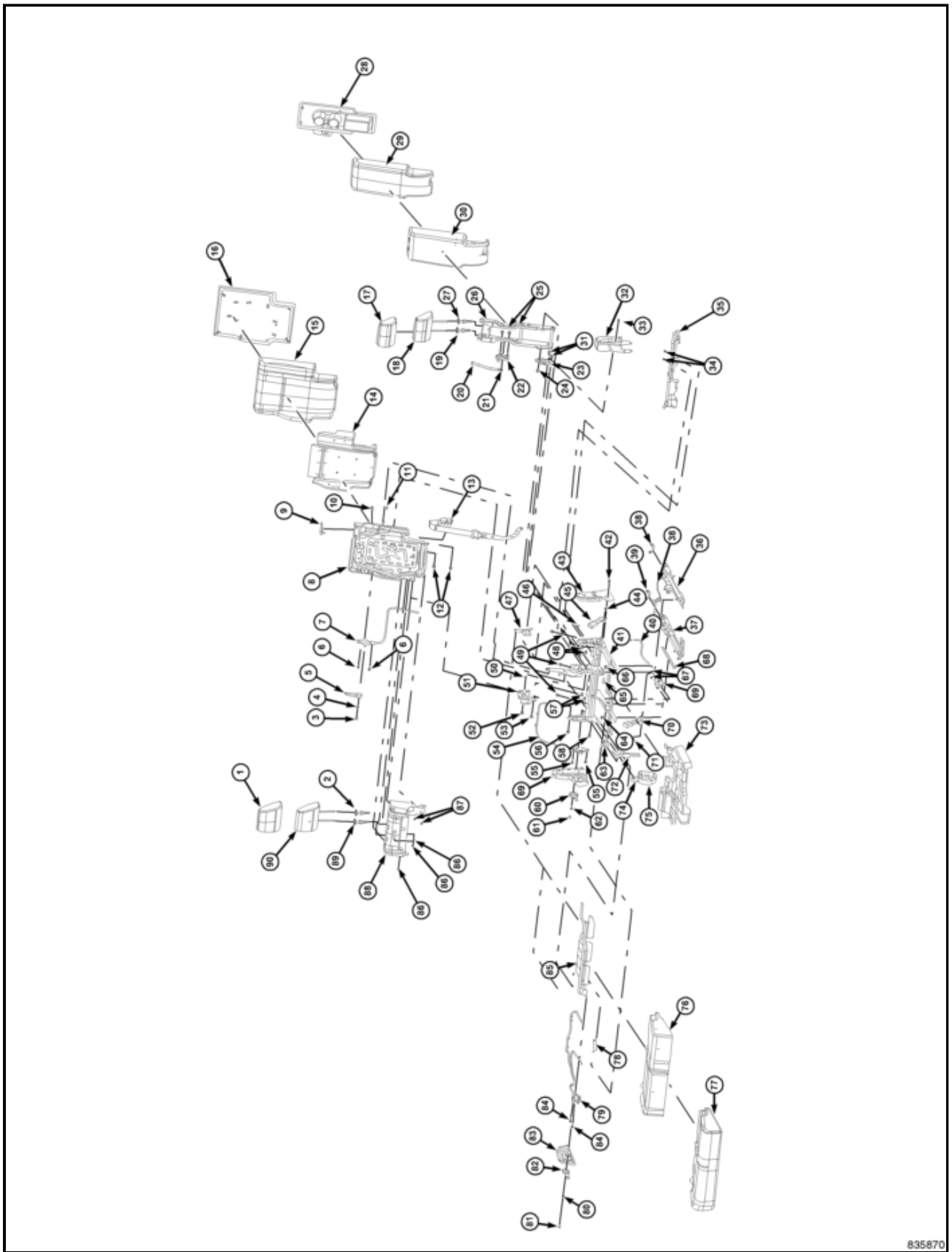


835861

7 Passenger - 40% Seat Explode

Item	Description	Item	Description
1	Cover, Headrest	32	Spacer
2	Sleeve, Headrest	33	Bumper
3	Sleeve, Headrest	34	Screw
4	Frame, Seat Back	35	Spring, Assist

5	Foam, Seat Back	36	Sleeve, Headrest
6	Cover, Seat Back	37	Cable, Release
7	Panel, Seat Back	38	Shield, Upper Inner
8	Cable, Release	39	Screw
9	Screw	40	Cover, Cushion Latch
10	Handle, Easy Entry	41	Cover, Lower Recliner
11	Screw	42	Screw
12	Cap, Handle	43	Buckle, Seat Belt
13	Screw	44	Bumper
14	Cable, Release	45	Nut
15	Shield, Lower RH	46	Nut
16	Handle, Seat Adjust	47	Nut
17	Screw	48	Frame, Seat
18	Cable, Release	49	Cover, Lower Outer
19	Shield, Lower LH	50	Cover, Seat Cushion
20	Handle, Recliner	51	Foam, Seat Cushion
21	Screw	52	Strut, Gas
22	Cap, Handle	53	Frame, Seat Cushion
23	Screw	54	Screw
24	Cap, Handle	55	Screw
25	Screw	56	Cover, Upper Recliner
26	Screw	57	Screw
27	Cover, Rear	58	Screw
28	Cable, Release	59	Screw
29	Cover, Rear Track	60	Shield, Upper Seat Back Inner
30	Track, Inboard	61	Sleeve, Headrest
31	Track, Outboard		



835870

7 Passenger - 60% Seat Explode

Item	Description	Item	Description
1	Cover, Headrest	46	Screw
2	Sleeve, Headrest	47	Cover, Inner Pivot
3	Cap, Handle	48	Nut
4	Screw	49	Screw



5	Handle, Easy Entry	50	Nut
6	Screw	51	Cover, Lower Recliner
7	Cable, Release	52	Screw
8	Frame, Seat Back	53	Pin, Push
9	Bezel, Seat Belt	54	Cable, Release
10	Screw	55	Screw
11	Cover, Striker	56	Screw
12	Screw	57	Nut
13	Retractor, Seat Belt	58	Screw
14	Foam, Seat Back	59	Shield, Upper Side
15	Cover, Seat Back	60	Handle, Recliner
16	Shield, Seat Back	61	Cap, Handle
17	Cover, Headrest	62	Screw
18	Foam, Headrest	63	Bumper
19	Sleeve, Headrest	64	Nut
20	Strap, Release	65	Cushion, Bumper
21	Nut	66	Nut
22	Latch, Armrest	67	Screw
23	Bracket, Armrest Pivot	68	Spring
24	Screw	69	Sleeve, Headrest
25	Nut	70	Buckle, Seat Belt
26	Frame, Armrest	71	Screw
27	Sleeve, Headrest	72	Cover, Lower Outer
28	Panel, Armrest Cover	73	Cover, Cushion Latch
29	Cover, Armrest	74	Screw
30	Foam, Armrest	75	Cover, Upper Recliner
31	Screw	76	Foam, Seat Cushion
32	Cover, Pivot Bracket	77	Cover, Seat Cushion
33	Screw	78	Strut, Gas
34	Screw	79	Cable, Release
35	Shield, Rear	80	Screw
36	Track, Inboard	81	Cap, Handle
37	Track, Outboard	82	Handle, Seat Adjust
38	Cable, Release	83	Shield, Lower Side
39	Cover, Rear Track	84	Screw

	Cable, Release	85	Frame, Seat Cushion
41	Frame, Seat	86	Screw
42	Pin, Push	87	Screw
43	Shield, Upper Recliner LH	88	Shield, Upper Seat Back Inner
44	Screw	89	Sleeve, Headrest
45	Buckle, Seat Belt	90	Foam, Headrest

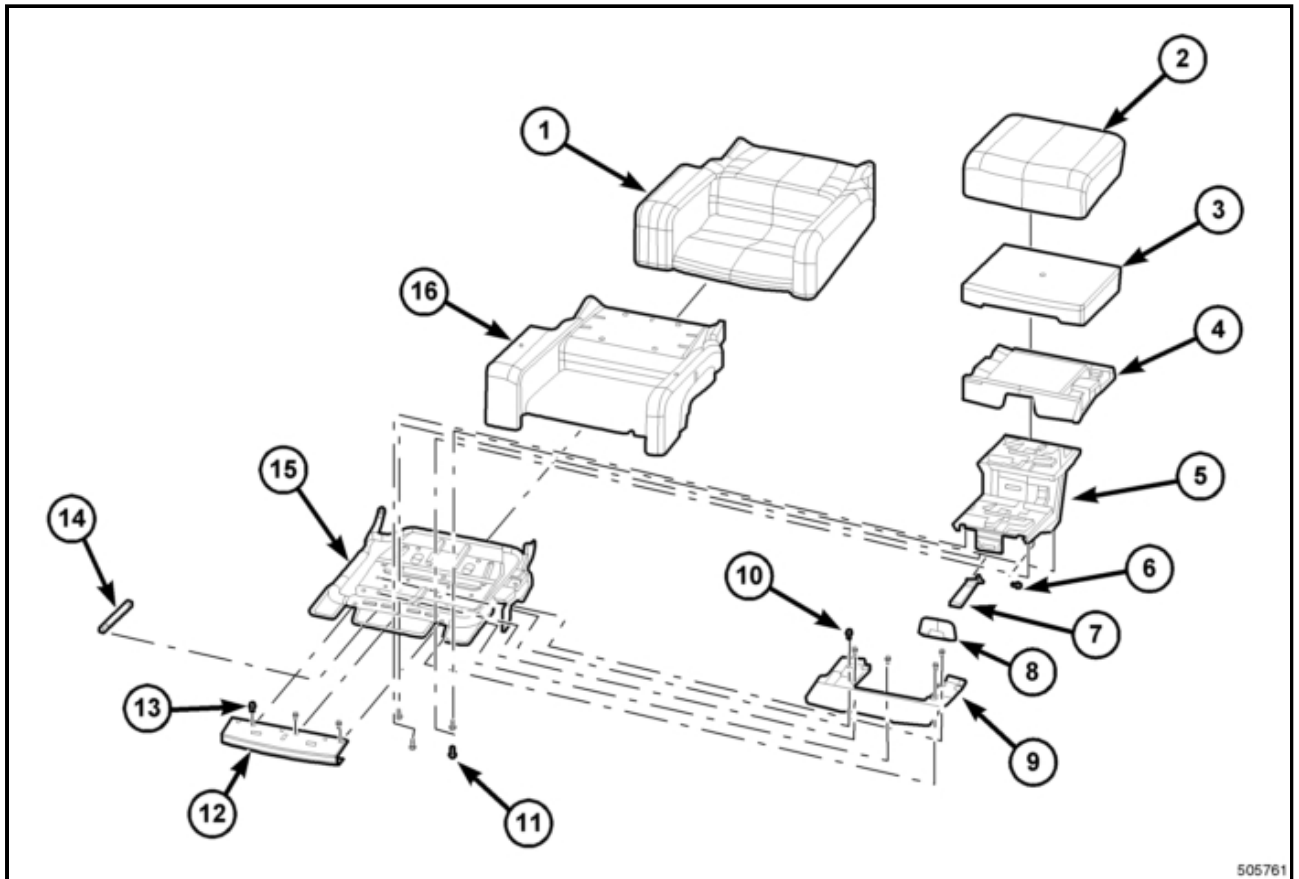
# REMOVAL

1. Remove the headrest.
2. Slide seat forward.
3. Remove both rear seat adjuster bolts.
4. Slide seat rearward.
5. While pulling the release tab located under the seat, pull the seat up and remove the plastic covers to gain access to the front adjuster bolts.
6. Remove both front seat adjuster bolts.
7. Remove front seat from vehicle.

# INSTALLATION

1. Place seat in position in vehicle.
2. Install bolts to attach front of seat adjuster to the floor. Tighten bolts to 95 N·m (70 ft. lbs.).
3. Slide seat forward and install bolts attaching rear of seat track to the floor. Tighten bolts to 95 N·m (70 ft. lbs.).
4. Verify seat operation.

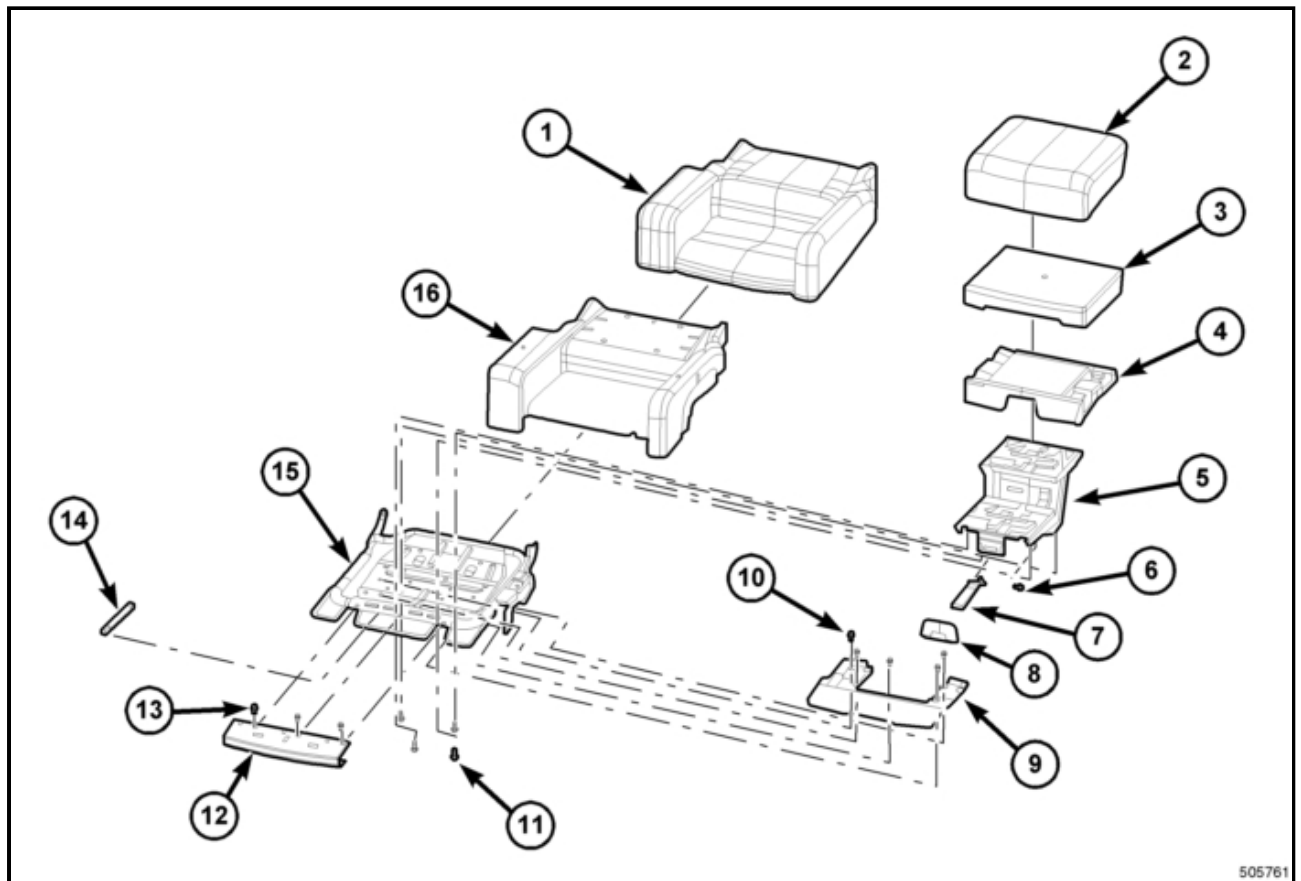
# REMOVAL



- |                               |                                      |
|-------------------------------|--------------------------------------|
| 1. COVER, BOOSTER SEAT FOAM   | 9. ASSEMBLY, BOOSTER SEAT FOOT PLATE |
| 2. COVER, BOOSTER SEAT FOAM   | 10. SCREW                            |
| 3. FOAM, BOOSTER SEAT         | 11. SCREW                            |
| 4. SUPPORT BASE, BOOSTER SEAT | 12. FRONT SUPPORT, BOOSTER SEAT      |
| 5. ASSEMBLY, BOOSTER SEAT     | 13. SCREW                            |
| 6. SCREW                      | 14. STRUT, GAS                       |
| 7. STRAP, BOOSTER             | 15. FRAME, FOAM BOOSTER SEAT         |
| 8. BEZEL, PULL STRAP          | 16. PAD, FOAM                        |

1. Remove the appropriate seat cushion and place on a bench. ([Refer to 23 - Body/Seats/COVER, Seat Cushion - Removal](#)).
2. Unzip the seat cover.
3. Partially remove the seat cushion cover to gain access to the booster seat fasteners.
4. Remove the booster seat mounting fasteners.
5. Unlatch the booster seat and carefully place in the upright position.
6. Disengage the booster seat cover trim clips.
7. Remove the booster seat from the seat cushion.
8. If required, disengage the seat cover clips and carefully pull the booster seat cover off the foam.

# INSTALLATION

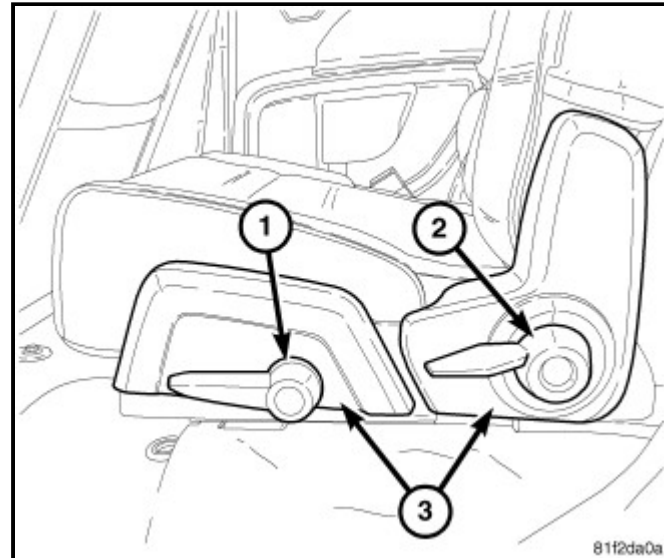


505761

1. If required, carefully pull the booster seat cover over the foam and engage the booster seat cover clips.
2. Install the booster seat to the seat cushion.
3. Engage the booster seat cover trim clips.
4. Latch the booster seat.
5. Install the booster seat mounting fasteners. Tighten to 13 N-m (10 ft. lbs.).
6. Install the seat cushion cover.
7. Zip the seat cover.
8. Install the seat cushion. ([Refer to 23 - Body/Seats/COVER, Seat Cushion - Installation](#)).

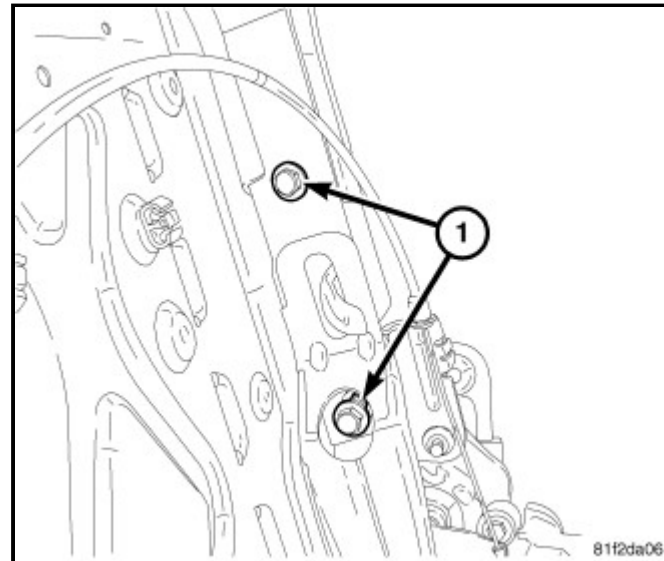
# REMOVAL

1. Remove the recliner handle cover and mounting fasteners.
2. Remove the recliner handle
3. Remove the folding seat handle cover, mounting fasteners and handle, if equipped.
4. Remove the outboard shield.
5. Remove the headrest and headrest guides.
6. Fold the seat flat and remove the seat back panel by carefully prying up on the panel until the retainers disengage.
7. For the 60 split seat only, remove the seat belt anchor mounting fastener.
8. Remove the seat cover clips and pull back to expose the inboard seat back mounting fasteners.



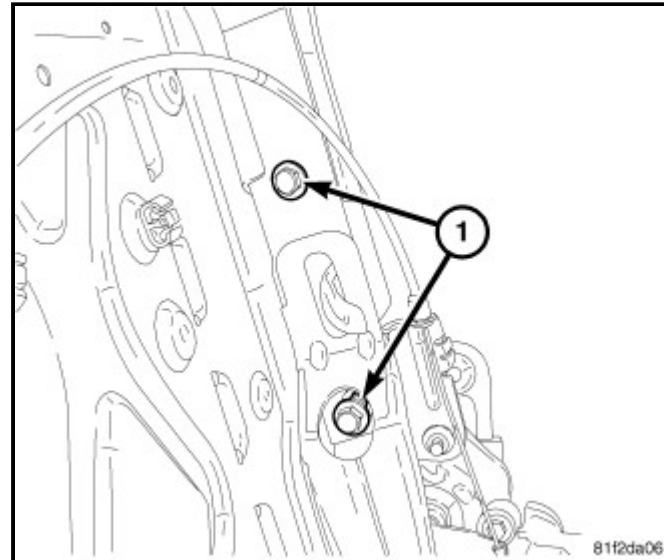
**NOTE:** On the 40 split seat, the inboard mounting fasteners are located on the outside of the seat back frame. On the 60 split seat, they are located on the inside of the seat back frame which will require the seat back cushion/cover to be removed. ([Refer to 23 - Body/Seats/SEAT BACK - Removal](#)).

9. Remove the inboard seat back mounting fasteners.
10. Remove the outboard seat back mounting fasteners.
11. Remove the cable attachment from the back steel panel.
12. Remove the seat back from the vehicle.



# INSTALLATION

1. Position the seat back frame to the seat adjuster assembly.
2. For the 40% seat back, install the inboard mounting fasteners. Tighten to 55 N-m (40 ft. lbs.).
3. For the 40% seat back, install the outboard mounting fasteners. Tighten to 30 N-m (22 ft. lbs.).
4. For the 60% seat back, install the inboard mounting fasteners. Tighten to 60 N-m (44 ft. lbs.).
5. For the 60% seat back, install the outboard mounting fasteners. Tighten to 30 N-m (22 ft. lbs.).
6. Install the seat back cushion/cover, if required. ([Refer to 23 - Body/Seats/SEAT BACK - Installation](#)).
7. For the 60% seat back, place the seat belt and seat buckle into position. Tighten the mounting fastener to 49 N-m (36 ft. lbs.).
8. Install the cable attachment to the back steel panel.



9. Install the outboard shield.
10. Install the recliner handle
11. Install the recliner handle mounting fasteners and cover.
12. Install the folding seat handle, mounting fasteners and cover, if equipped.
13. Install the headrest guides and headrest.

